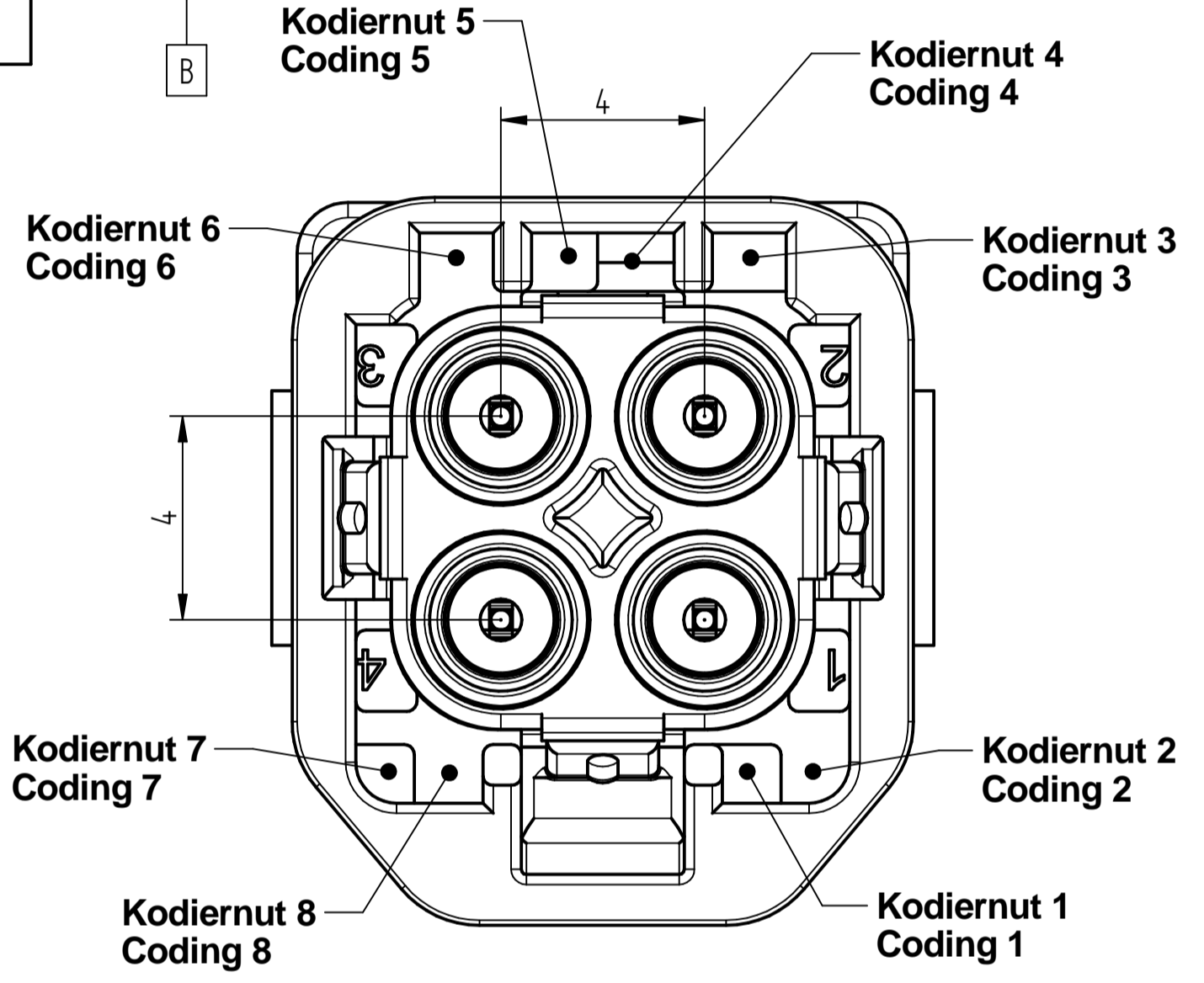
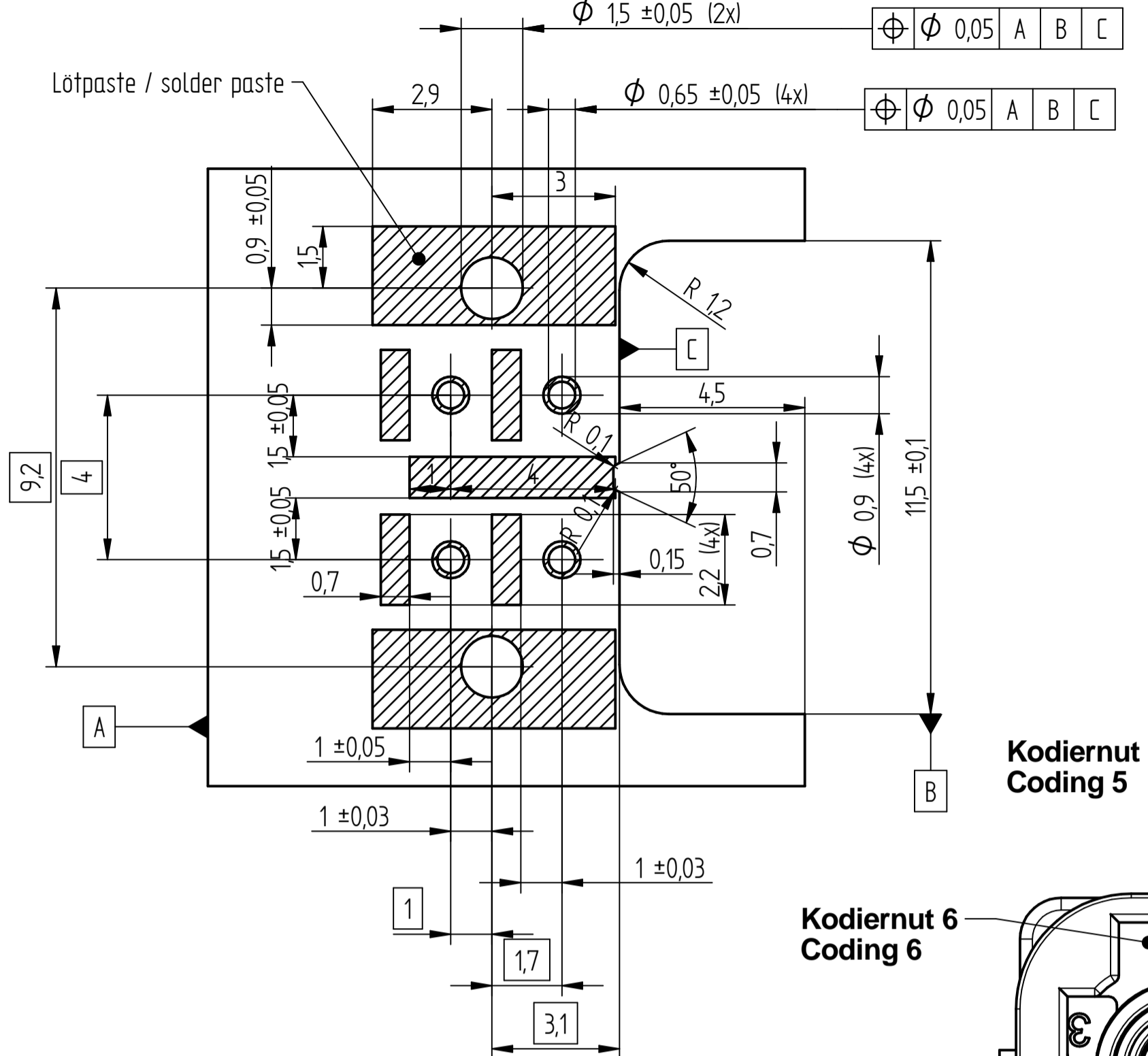


Empfohlenes Leiterplattenlayout - ( nur zur Information ) (A03)  
 Recommended PCB Footprint - ( only for information )

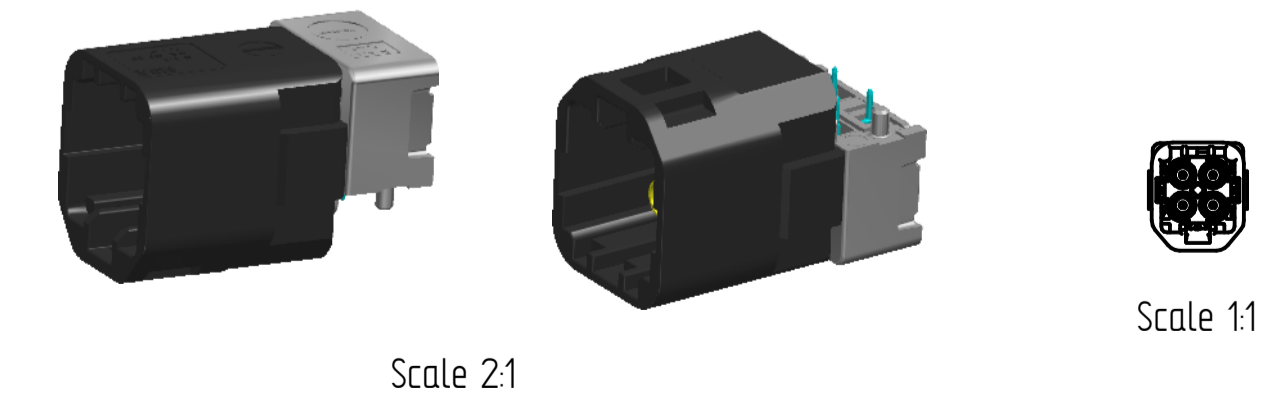
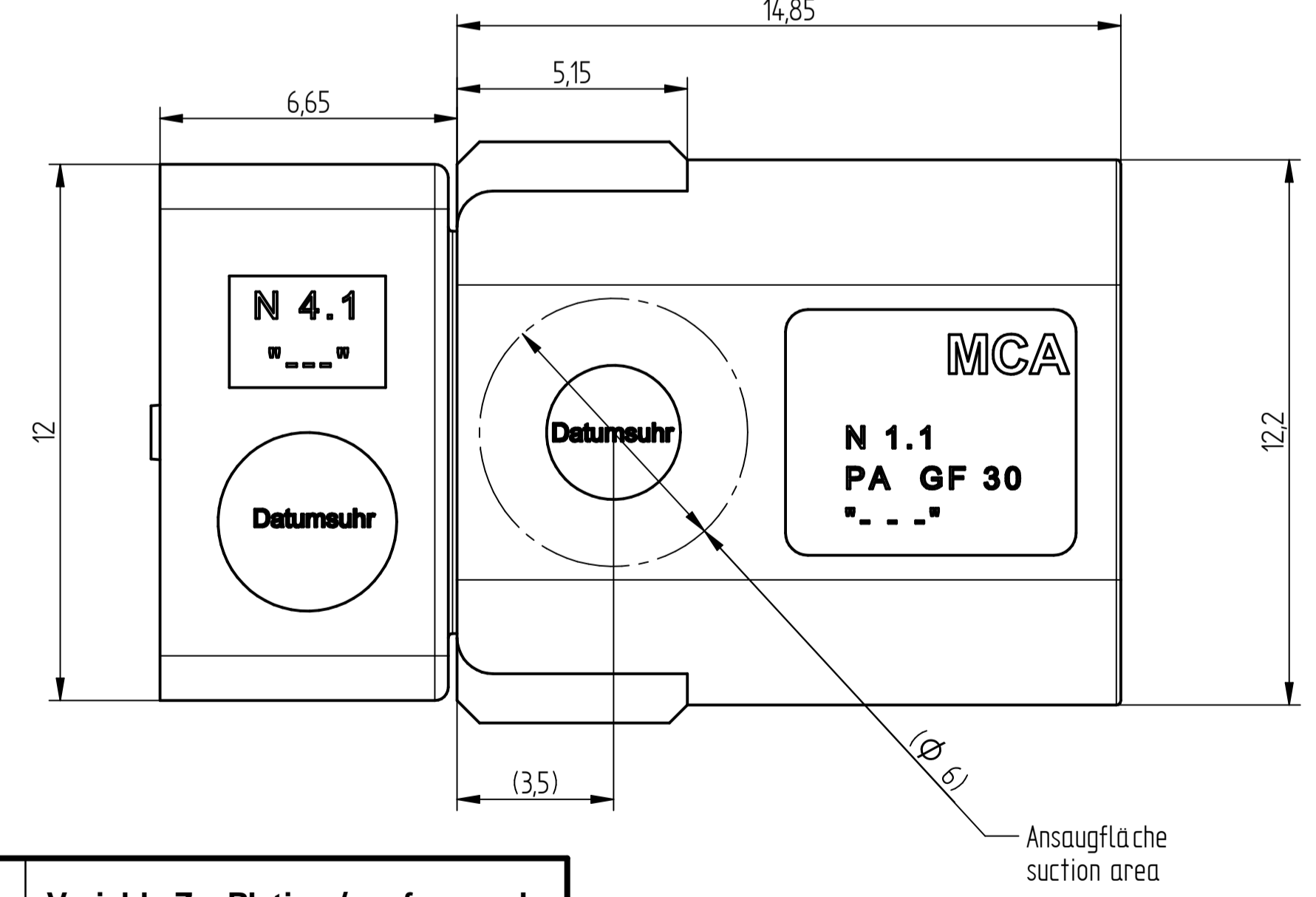
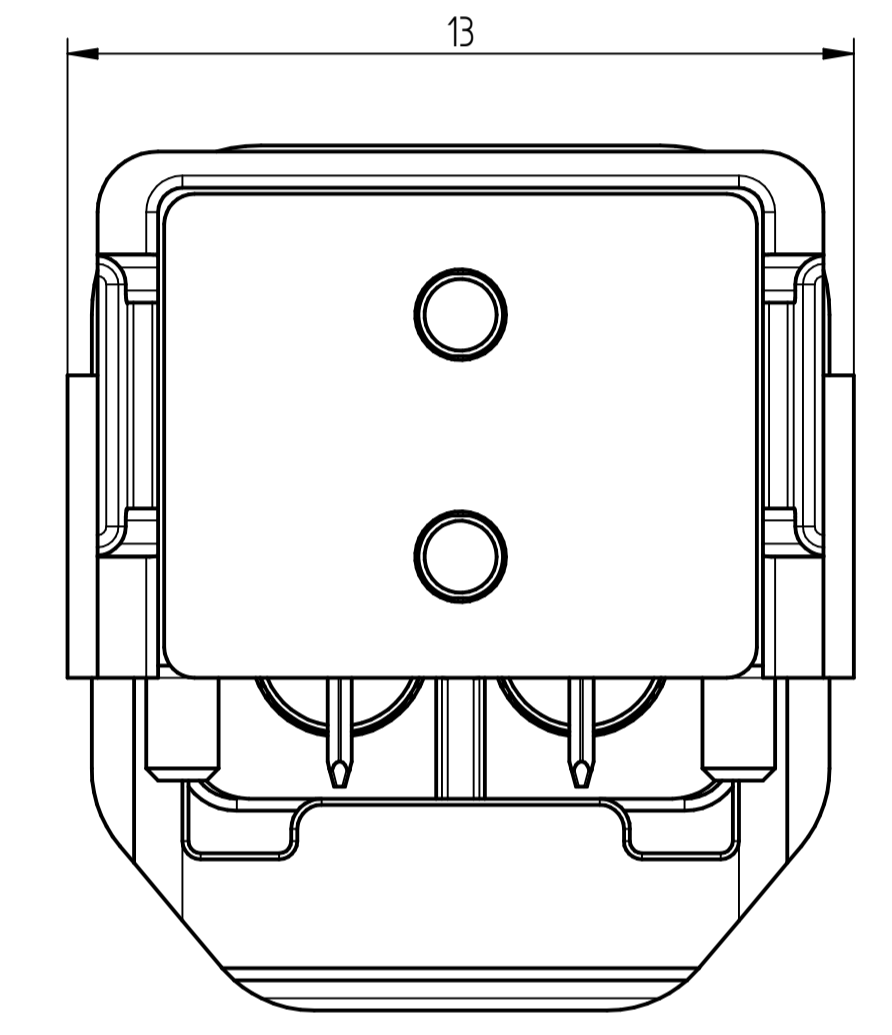
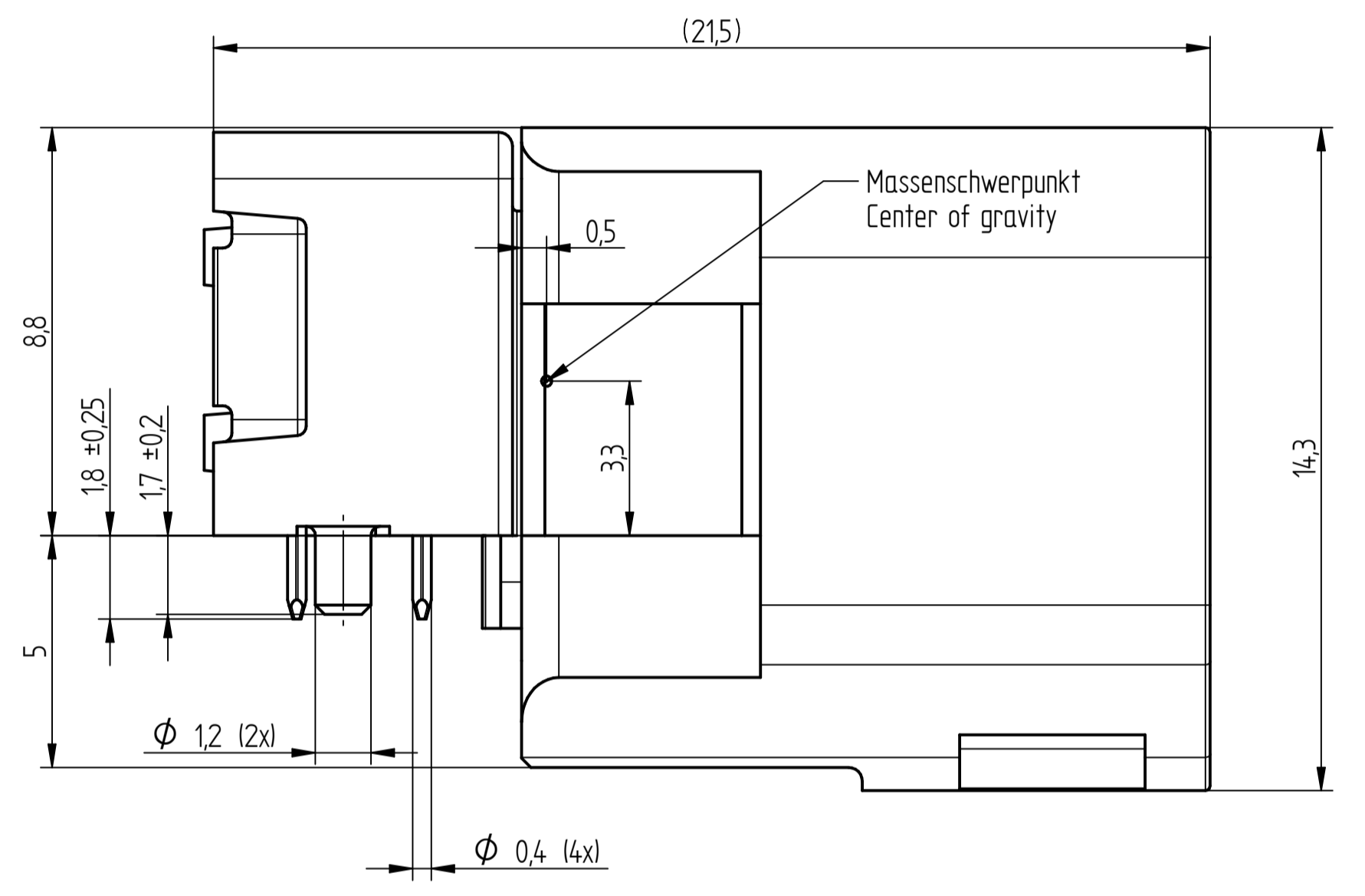
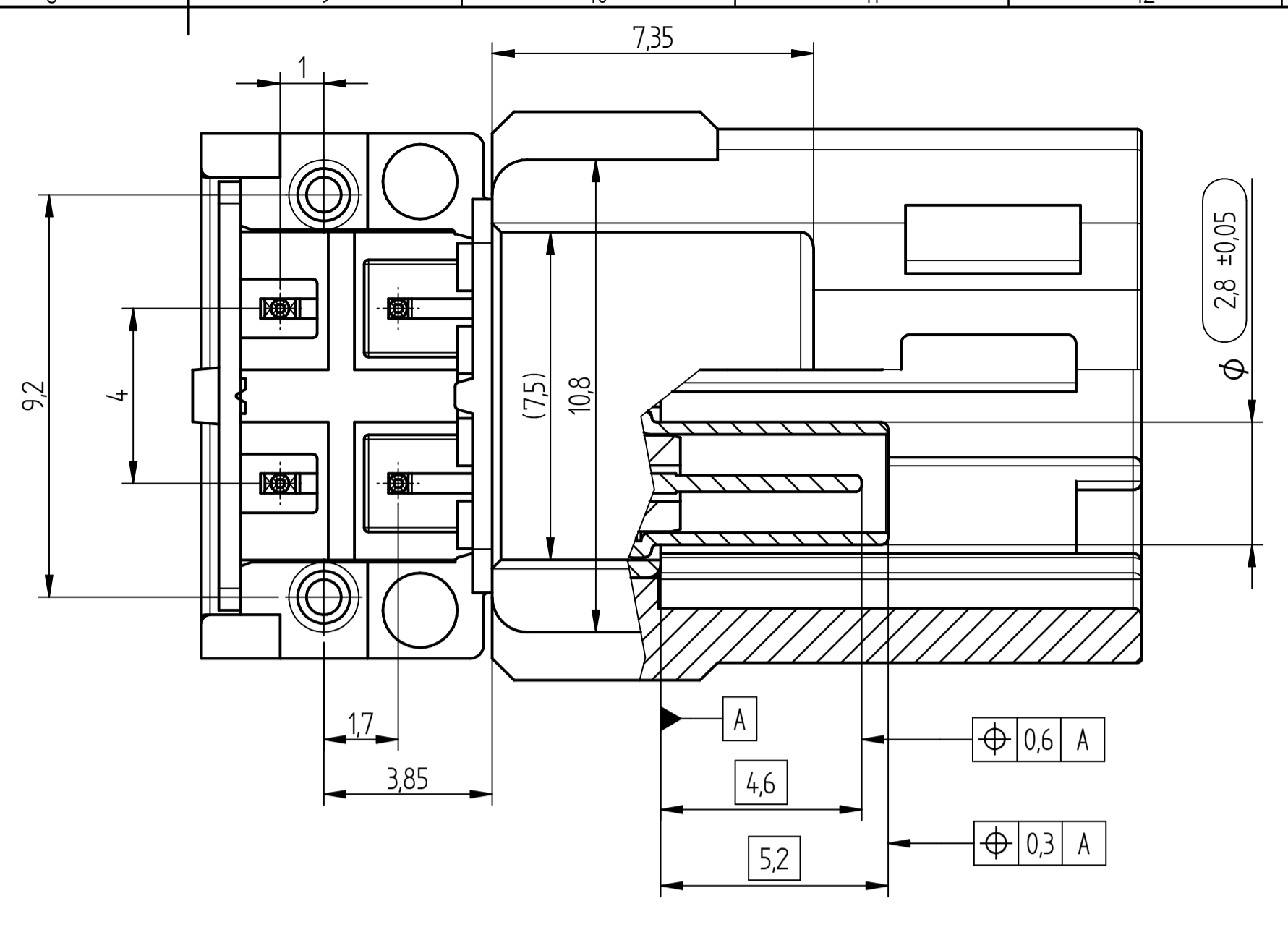


Kodierung A ist dargestellt  
 Coding A is shown

Kodierungsvariante X muss in Zeichnungsnummer festgelegt werden, wenn eine Bestellung ausgelöst wird.  
 Coding Type X have to be stated within the drawing number, when an order is placed

Kodierungsvariante Coding Type "X"	Kodiernut 1 Coding 1	Kodiernut 2 Coding 2	Kodiernut 3 Coding 3	Kodiernut 4 Coding 4	Kodiernut 5 Coding 5	Kodiernut 6 Coding 6	Kodiernut 7 Coding 7	Kodiernut 8 Coding 8	Farbe color	ähnlich RAL similar RAL
	gesperrt closed	offen open	gesperrt closed	offen open	gesperrt closed	offen open	gesperrt closed	offen open	tiefschwarz jet black	9005
	offen open	gesperrt closed	offen open	gesperrt closed	offen open	gesperrt closed	offen open	gesperrt closed	reinweiss pure white	9010
	gesperrt closed	offen open	gesperrt closed	offen open	offen open	gesperrt closed	offen open	gesperrt closed	lichtblau light blue	5012
	offen open	gesperrt closed	offen open	gesperrt closed	gesperrt closed	offen open	gesperrt closed	offen open	bordeauxviolett claret violet	4004
	offen open	offen open	gesperrt closed	gesperrt closed	offen open	offen open	gesperrt closed	gesperrt closed	maigrün may green	6017
	gesperrt closed	gesperrt closed	offen open	offen open	gesperrt closed	gesperrt closed	offen open	offen open	nussbraun nut brown	8011
	offen open	offen open	offen open	offen open	offen open	offen open	offen open	offen open	wasserblau waterblue	5021

Part	Material	Variable Z = Plating / surface code			
		1	4	7	9
Housing	diecast		Sn	Sn	
Cap	stainl.steel				
Plastic Housing	PA 10 T/X				
Centre Pin contact side	brass		Ag	Sn	
Centre Pin pcb side	brass		Ag	Sn	
Outer Contact contact side	brass		Sn	Sn	
Outer Contact pcb side	diecast		Sn	Sn	
Insulator	LCP				



Scale 2:1

Projection - ISO 5456	Unit system - Metric	General tolerance	Note	Document type
	ALL dim. in (mm)	ISO 2768 mH		Acceptance drawing
Created by ekleiser	Approved by	Title MCA-PCB mount angle plug 4-pol	Supplementary title MCA-PCB-Anbauwinkelstecker 4-P	Drawing number 5488MCA1X20.00Z
Rev.	Date of issue	Date of issue	Lang.	Scale 8:1
A 03	16.04.2020	EN	1/1	Sheet

Revision history				
Change ID	Rev.	Alteration	Date	Name
224102	A02	Private Labeling away	01.04.22	rschwaer
225855	A03	Change acc. RF	30.05.22	rschwaer