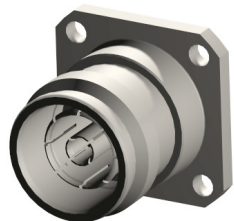
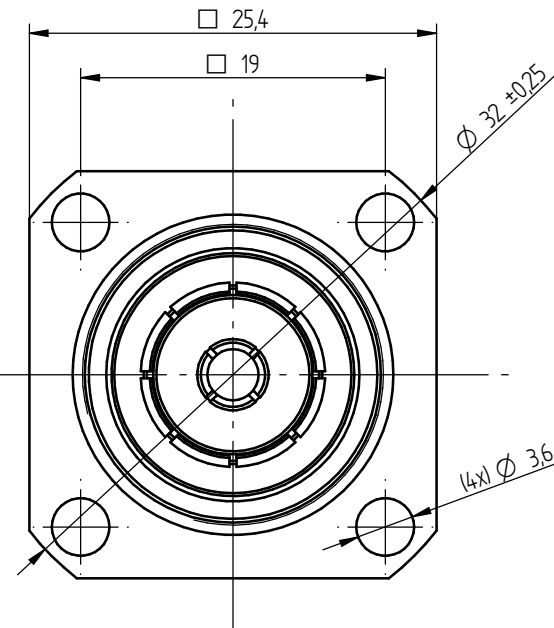
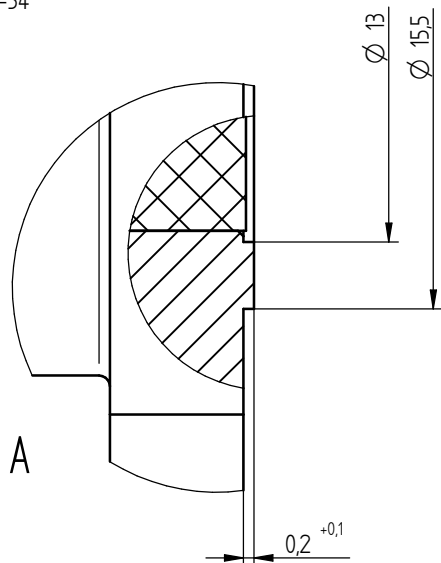


Steckbereich nach IEC 61169-54
Mating area acc. IEC 61169-54



Einzelheit A
10:1



| Mechanische Eigenschaften / mechanical requirement | | |
|---|---------|------|
| Steckzyklen Connecting operation | Op min. | 100 |
| Haltekraft Innenleiter in Richtung Retention force of centre pin in direction 1 | min. | 30N |
| Haltekraft Innenleiter in Richtung Retention force of centre pin in direction 2 | min. | 30N |
| Haltemoment Innenleiter Detent torque of centre pin | min. | 3Ncm |

| | | | | | | |
|--------|------|------------------|----------|-------------------------------|-----------------|-----------|
| | | | | general tolerance ISO 2768 | scale: 3:1 | |
| | | | | date 27.10.14 | name Schwaer | |
| | | | | 4.3/10-Flanschbuchse | | |
| | | | | 4.3/10-Flange mount jack | | |
| | | | | 5217.VDZ.2018.20' | | |
| Design | b | add. tolerance | 27.02.15 | RSc | | Rev. b |
| Design | a | Change acc. sim. | 08.12.14 | RSc | | |
| nr. | rev. | alteration | date | name | | |