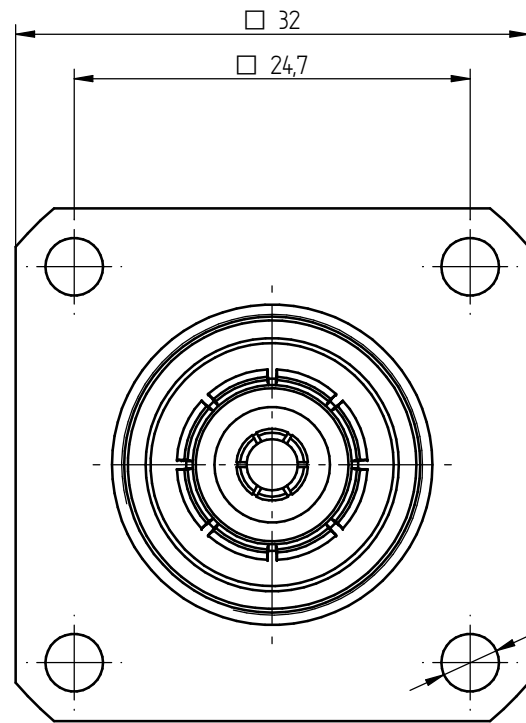
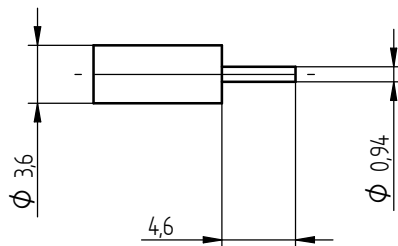


Steckbereich nach IEC 61169-54
Mating area acc. IEC 61169-54

Kabelzuschnitt / stripping dimension
UT-141
Flexiform 402



IMS CONNECTOR SYSTEMS					general tolerance ISO 2768 mH		scale: 3:1	
					date	name	4.3/10-Flanschbuchse 4.3/10-Flange mount cable jack	
generate	20.08.14	Schwaer						
checked								
Design	a	Change acc. sim.	13.11.14	RSC			5208.VDZ.2818.07'	
nr.	rev.	alteration	date	name				