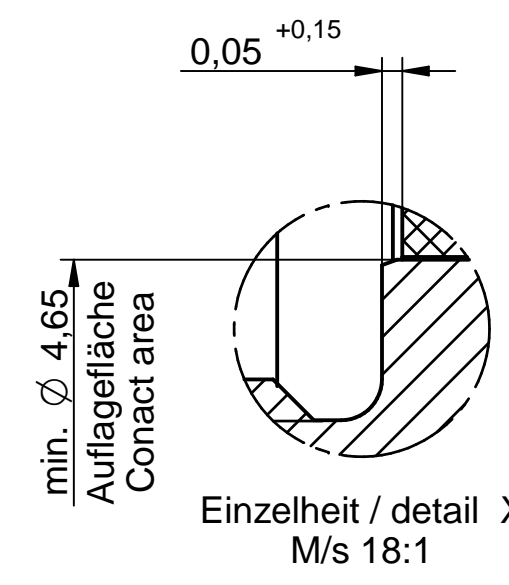
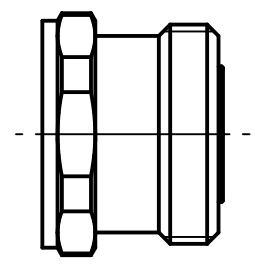
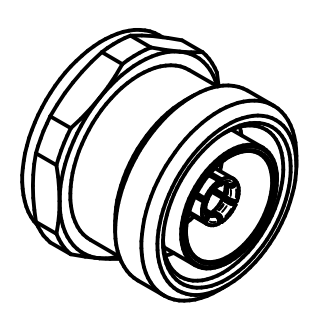
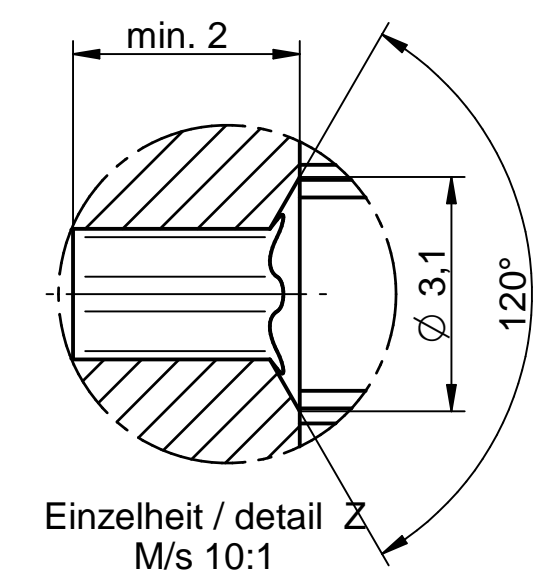
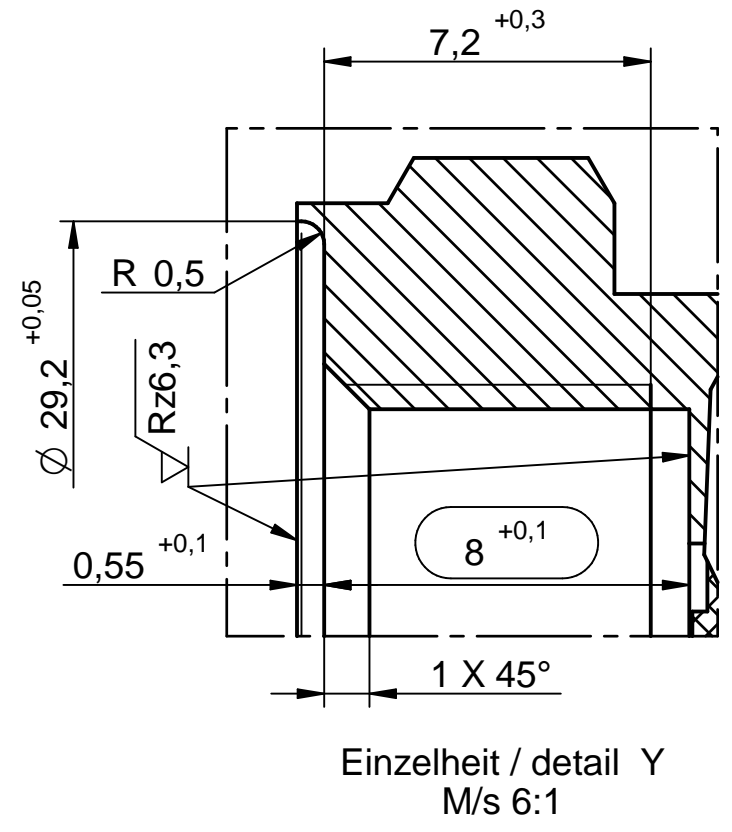
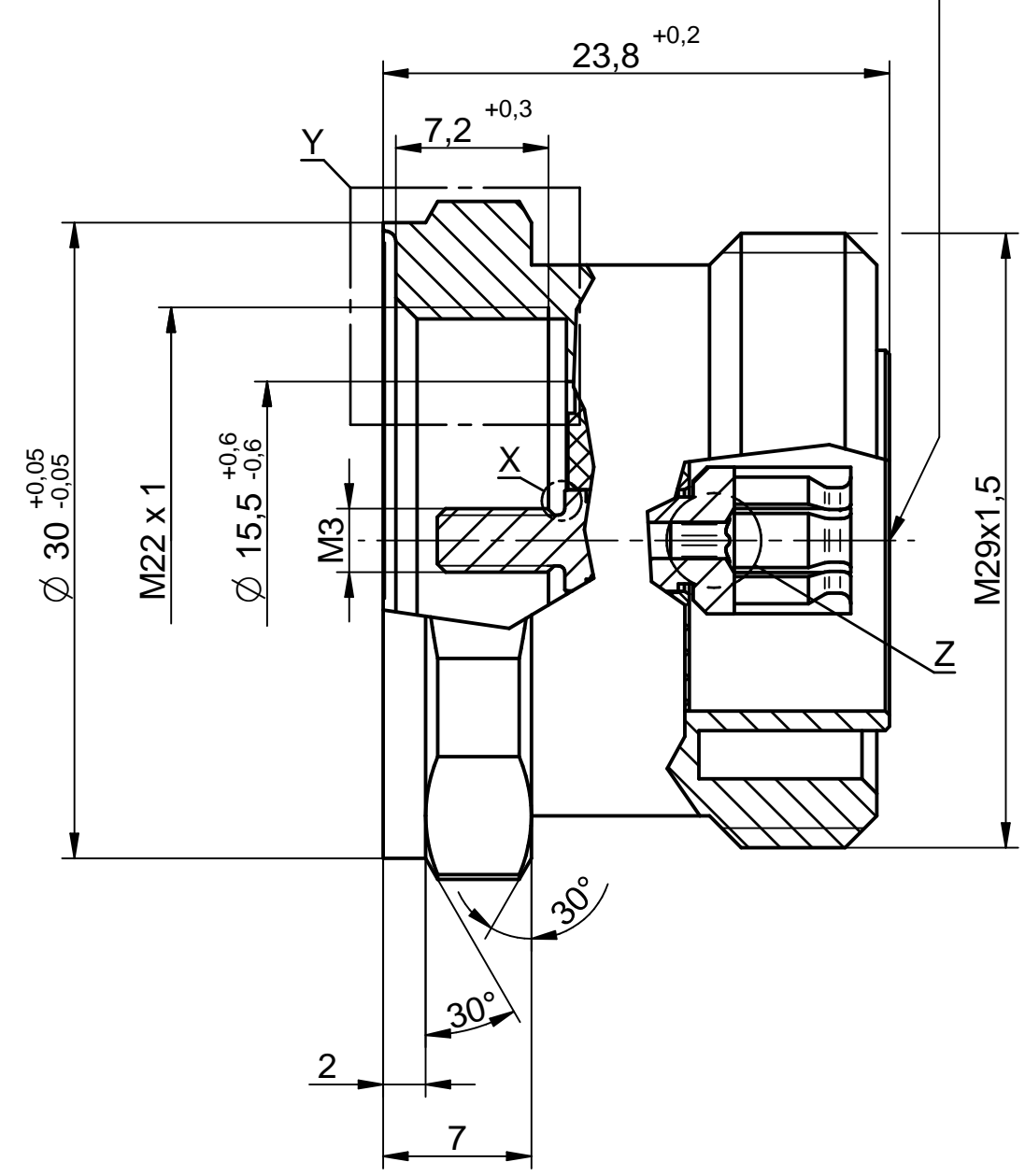


Steckbereich nach: IEC 60169-4
mating area acc. to: IEC 60169-4



				general tolerance ISO 2768 mH angle: ±5°		scale: 3:1	
				date name		Assembly instruction: Stripping dimension:	
generate 16.06.14 F Fab.		7/16 (f) - Chassisbuchse		5174.08.2010.00'		Rev. b	
checked 07.03.16 Pölz		7/16 (f) - Bulkhead jack					
Norm							
design	b	torx deep	04.03.16	F Fab.			
design	a	revised	21.01.16	F Fab.			
nr.	rev.	alteration	date	name			