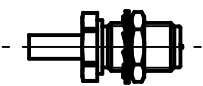
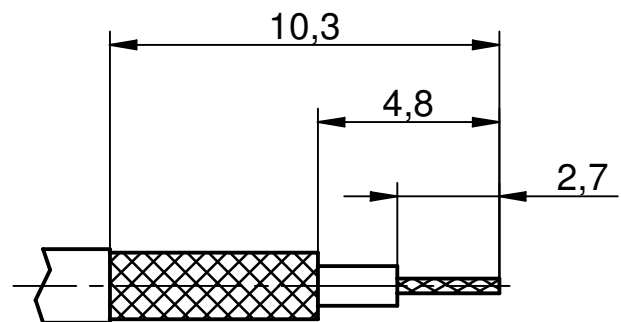
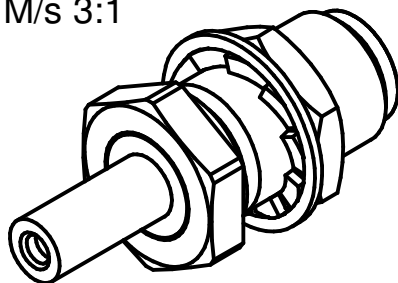


Kabelzuschnitt / Stripping dimension:
Kabel / Cable: Hirose U.FL-LP-066

M/s 1:1



M/s 3:1



Aussen crimpen / out crimp: \square 2,67
Innen / in : löten / solder

(Nicht IEC-Standard!!)
(No IEC-Standard!!)

IMS CONNECTOR SYSTEMS					general tolerance	scale: 8:1	
					ISO 2768	Assembly instruction: M-130	
					mH	Stripping dimension: K-1	
					angle: $\pm 5^\circ$	SMA-Kabelstecker rev. pol.	
					date	SMA-Cable mount plug rev. pol.	
					generate	4858.42.1412.24	
					checked	Rev.	
					Norm		
nr.	rev.	alteration	date	name			