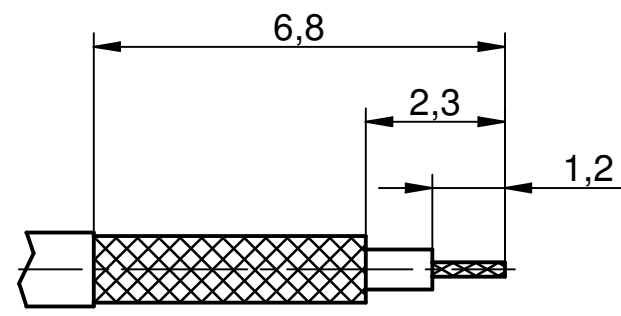
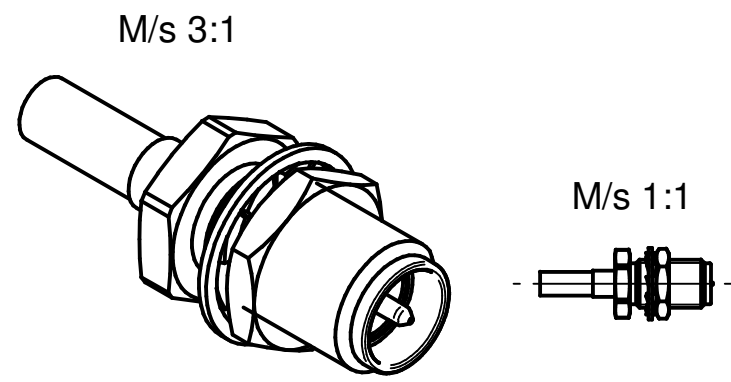


Kabelzuschnitt / Stripping dimension:  
Kabel / cable: Hirose U.FL-LP-066



(Nicht IEC-Standard!!)  
(No IEC-Standard!!)



<b>IMS CONNECTOR SYSTEMS</b>					general tolerance ISO 2768 mH angle: ± 5°		scale: 8:1	
					date		name	
					generate	18.06.07	Assembly instruction: M-221	
					checked		Stripping dimension:	
					Norm		SMA-Kabelstecker rev. pol.	
							SMA-cable mount plug rev. pol.	
EC_048_11	b	Neue Crimwzg.	05.05.11	Pözl			4346.42.1410.04'	
design	a	El. optimiert	28.06.07	Pözl				
nr.	rev.	alteration	date	name				
							Rev.	b