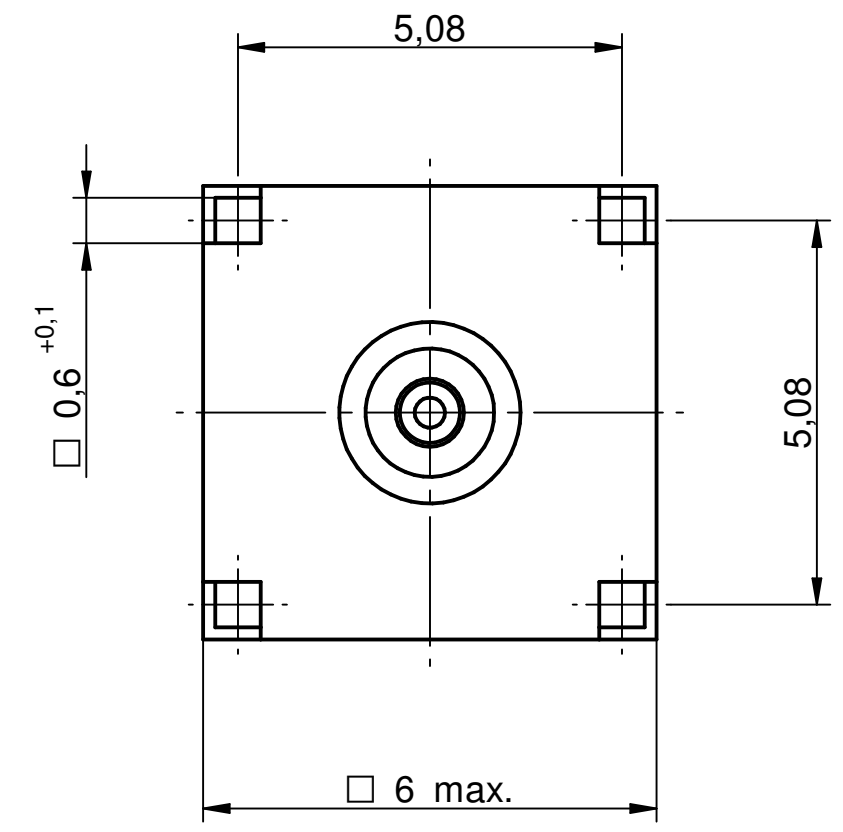
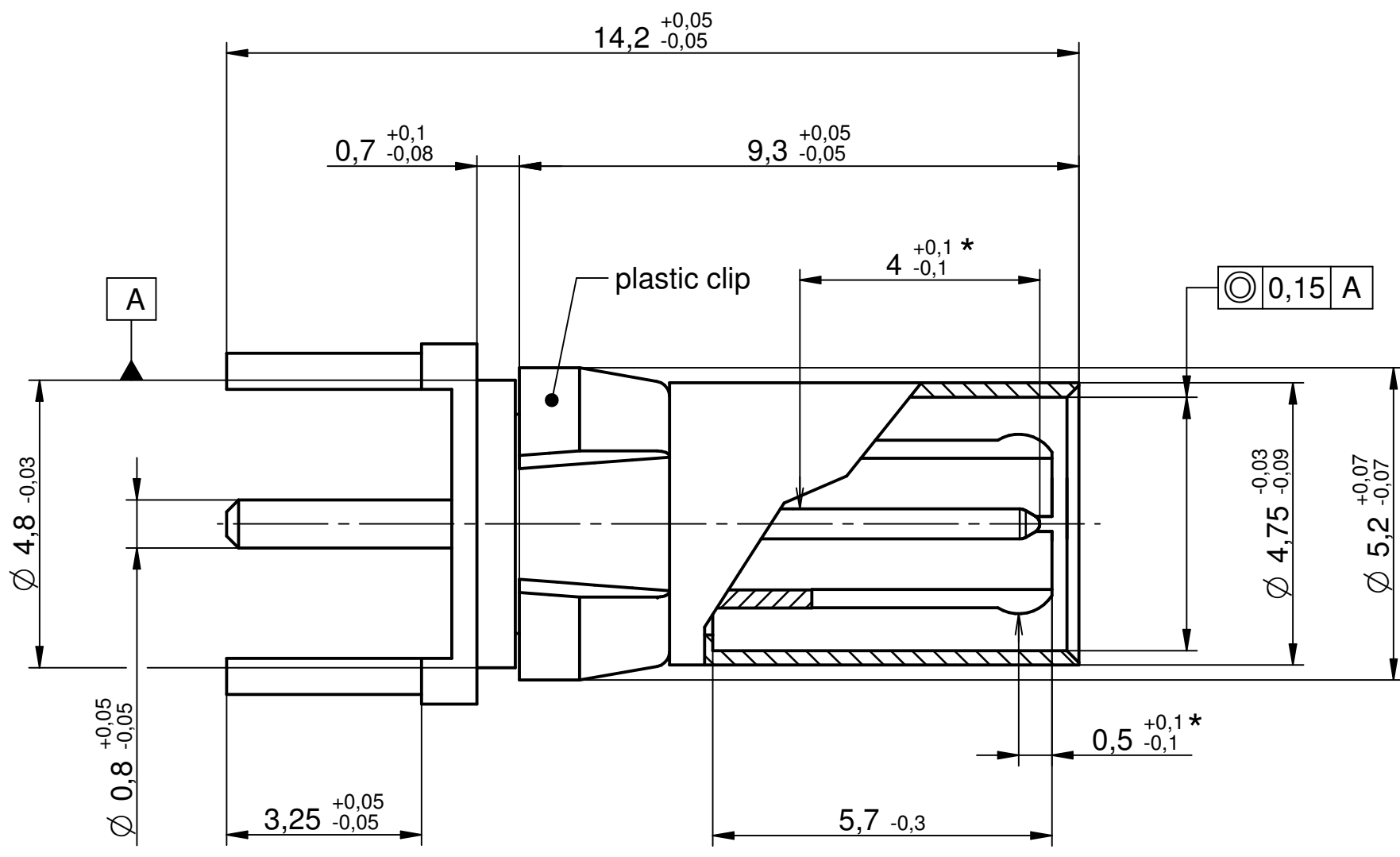
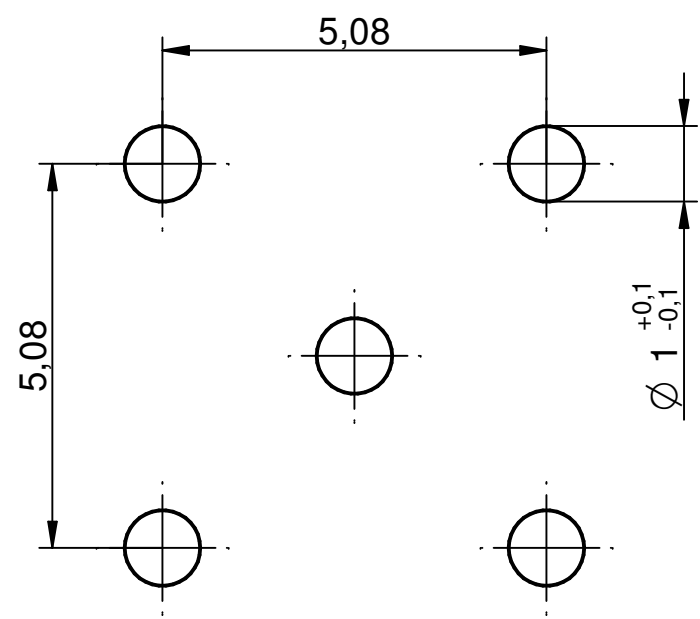


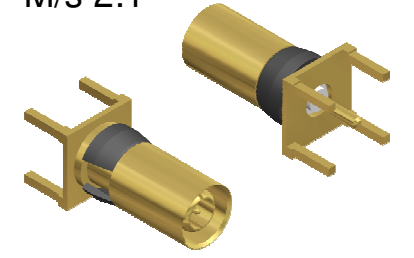
M/s 1:1



PCB - Layout



M/s 2:1



* Measuring point for plating

					general tolerance ISO 2768 mH angle: $\pm 5^\circ$		scale: 10:1	
					date name		Assembly instruction: Stripping dimension:	
EC_028_15	g	revised	17.02.15	Pözl	generate	22.04.02	Pichler	Anbaustecker 50Ω p.c.b. mount plug 50Ω
EC_182_08	f	plastic clip	18.11.08	Pözl	checked			
EC_099_06	e	di. changed	21.07.06	Pözl	Norm			
EC_079_06	d	dim. corrected	27.04.06	Pözl				
EC_264_05	c	Text added	28.10.05	Pözl				
design	b	revised	18.07.05	Pözl				
design	a	revised	14.05.02	Pichl				
nr.	rev.	alteration	date	name				3478.53.1515.40'
								Rev. g