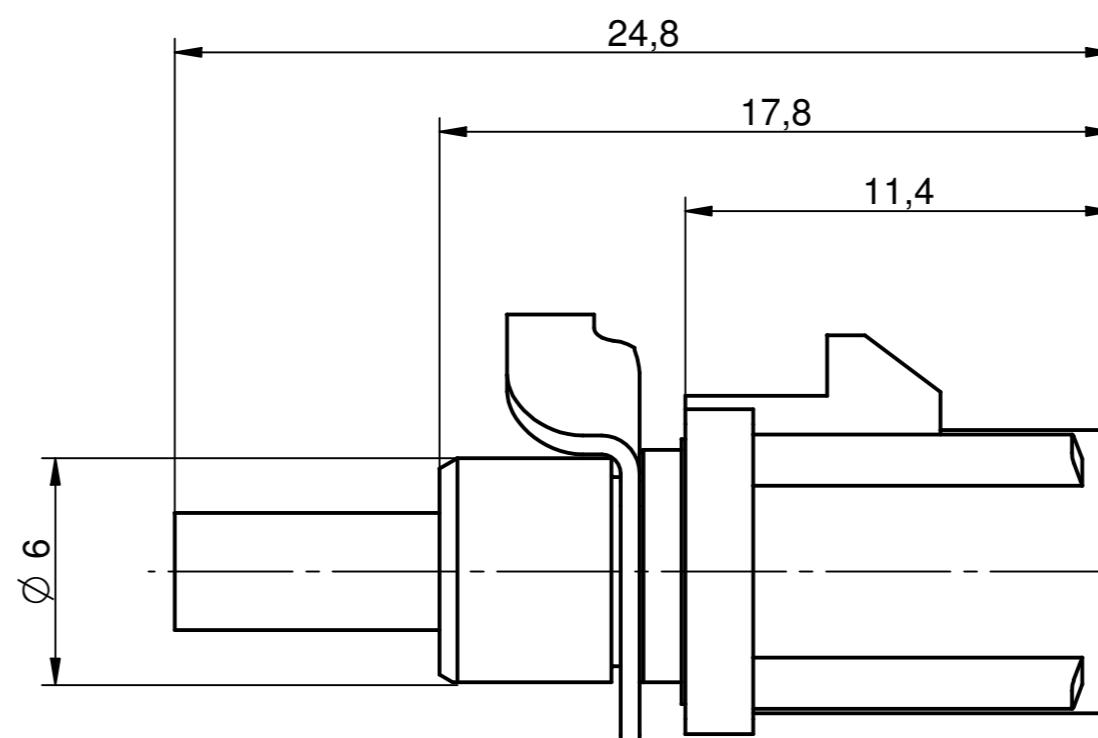
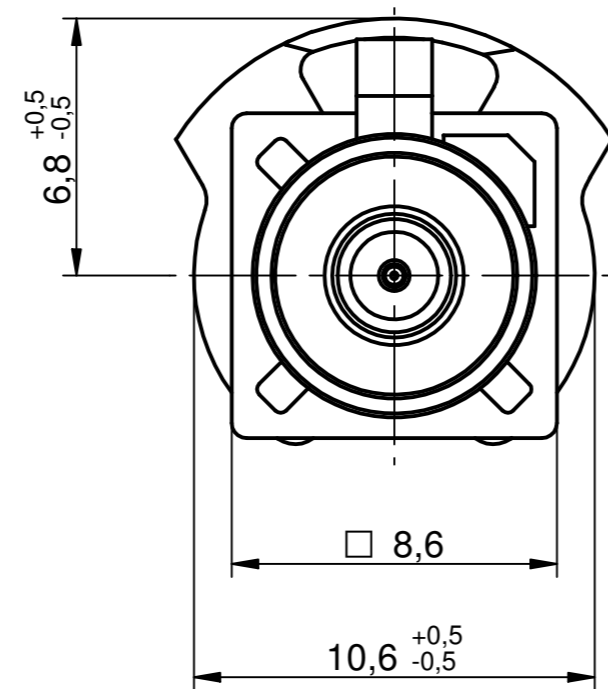


Variable X, Y and Z have to be stated within the drawing number when an order is placed.

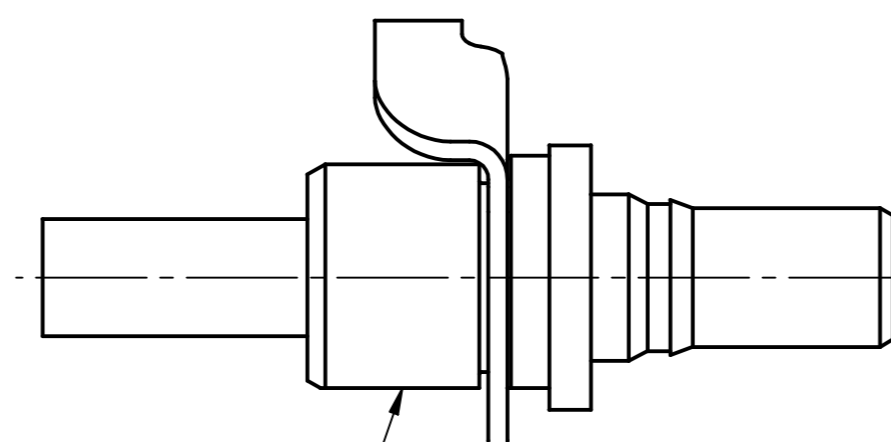
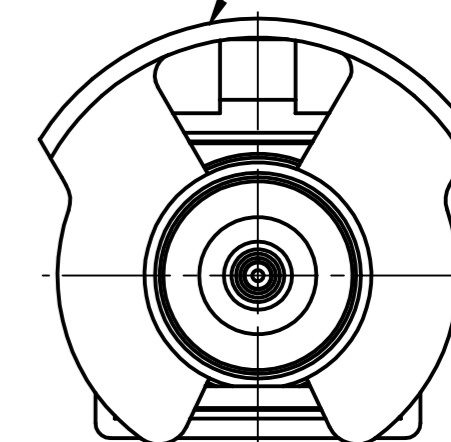
Variable X= Coding

coding X=	A	B	C	D
front view				
colour	deep black	cream white	signal blue	bordeaux violet
coding X=	E	F	G	H
front view				
colour	leaf green	nut brown	blue grey	heather violet
coding X=	I	K	L	M
front view				
colour	beige	curry yellow	carmine red	pastel orange
coding X=	N			
front view				
colour	pastel green			

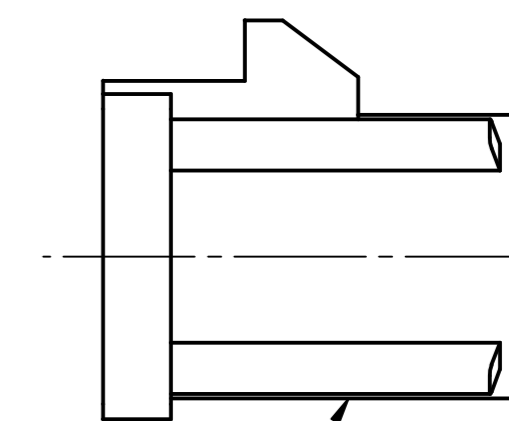


Interface acc. to DIN 72594

spring from each side mountable



Ordering no.: 3403.SMBA.1010.04Z.99



Ordering no.: 3308.SMBA.1X10.000.98

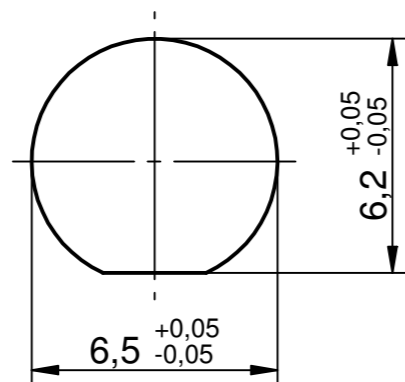
Variable Y= Cable typ

Y= Variable	Cable typ	Outer contact Crimp		Inner contact crimp		length crimp ferrule L5	Assembly instruction M-XXX	Crimp die IMS-number
		size	length	size	length			
4	Hirose U.FL-LP-066 - A12B0733-01	2,67	4	1,23	1,5	7	M-156	AGK-3573-10

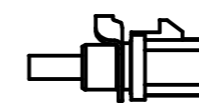
Variable Z= Plating

Part	Material	Variable Z=		
		1	5	9
Plastic Housing	PA 4.6			
Centre Socket	Brass	Au	Au	Au
Outer Contact	Brass	Au	White bronze	Ni
Insulator	PE			
Crimp ferrule	Brass	Ni	White bronze	Ni
Spring	Stainless steel			

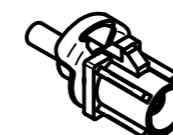
Mounting hole:
sheet thickness: 0,75mm ±0,05mm



M/s 1:1



M/s 1:1



IMS CONNECTOR SYSTEMS		general tolerance ISO 2768 mH angle: ± 5°		scale: 5:1	
design	c	Überarbeitet	27.05.09	Pölz	Kabelstecker
design	b	Teil ausgetauscht	16.02.07	Pölz	
design	a	Blechstärke	25.10.04	Glatz	Cable mount plug
rev.	nr.	alteration	date	name	
		date		name	3403.SMBA.1X10.04Z
		generate 15.07.04		Glatz	
		checked Norm			Rev. c