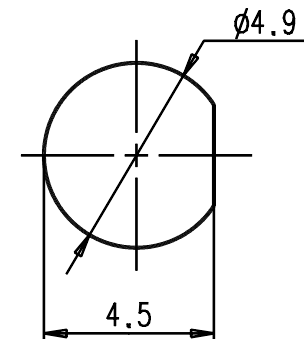


MONTAGEDURCHBRUCH
MOUNTING HOLE



PART	MATERIAL	FINISH
BODY	CuZn39 Pb3 F44	LAST DIGIT OF CODE ('): 1: 0.8µm Au
CENTRE CONTACT	BERYLCO 33-25	1.3µm Au
ISOLATOR	TEFLON (PTFE)	5: OPTALLOY 9: 5-8µm Ni

1:1



IMS CONNECTOR SYSTEMS				general tolerance ISO 2768 mH		scale: 5:1	
						Assembly instruction: Stripping dimension:	
				date	name	Chassisbuchse Bulkhead jack	
				generate	28.01.97 Mayer		
				checked			
				Norm	30095		
003/03	b	ZG - Anpassung	09.01.03	Mayer		2045.01.2212.19'	
524/98	a	UEBERARBEITUNG	24.09.98	Mayer			
nr.	rev.	alteration	date	name			Rev. b