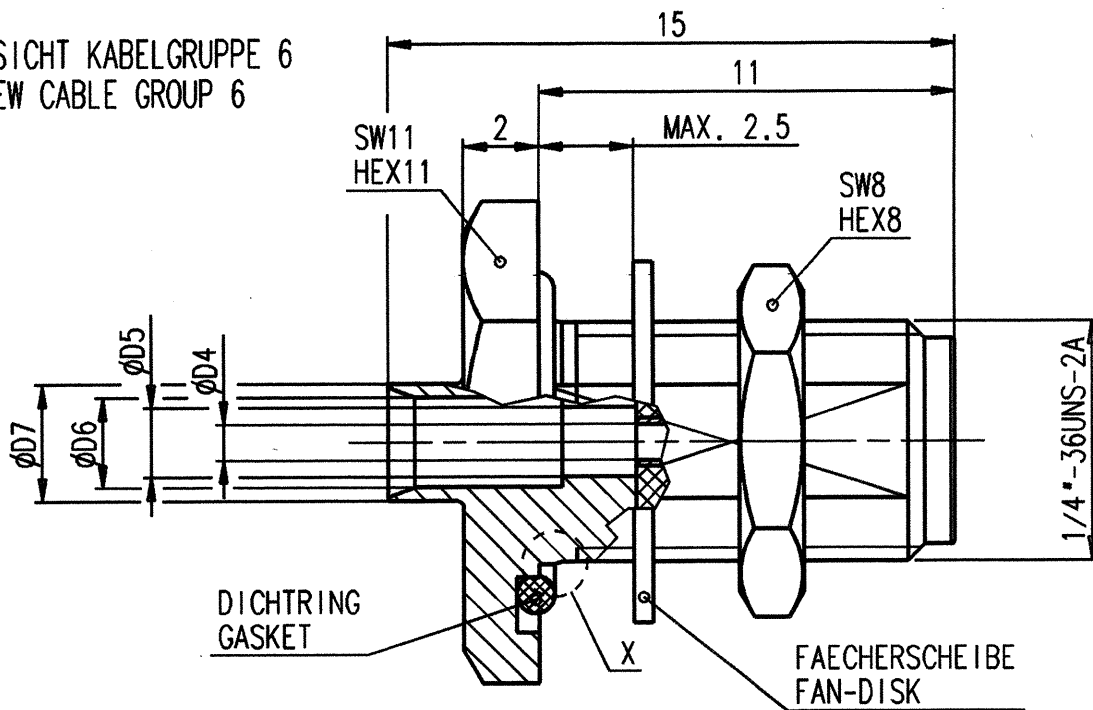
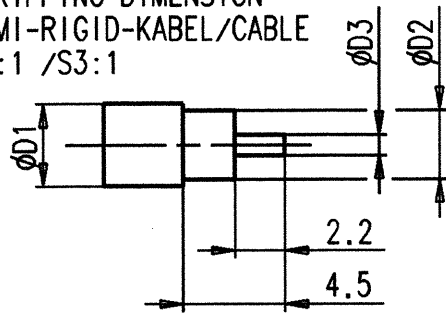


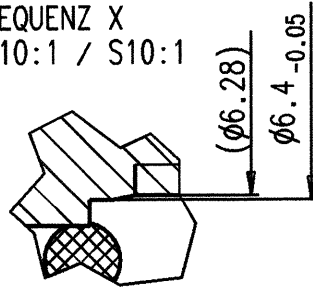
ANSICHT KABELGRUPPE 6
VIEW CABLE GROUP 6



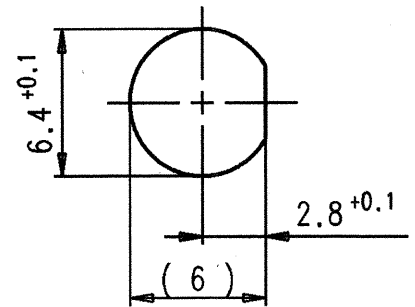
KABELZUSCHNITT
STRIPPING DIMENSION
SEMI-RIGID-KABEL/CABLE
M3:1 / S3:1



EINZELHEIT X
SEQUENZ X
M10:1 / S10:1



MONTAGEDURCHBRUCH
MOUNTING HOLE
M3:1 / S3:1



STANDARD MATING AREA: IEC 169-15 GRADE1

ENVIRONMENTAL AND ELECTRICAL CHARACTERISTICS PLEASE REFER TO
IMS CATALOGUE

PART	MATERIAL	FINISH
BODY	CuZn39 Pb3 F44	LAST DIGIT OF CODE ('): 1: 0.8µm Au
CENTRE CONTACT	BERYLCO 33-25	5: OPTALLOY
ISOLATOR	TEFLON (PTFE)	9: 5-8µm Ni

FUER KABEL / FOR CABLE					ANSCHLUSS CONNECTING AREA			
GR	TYPE	ϕD1 MAX.	ϕD2 MAX.	ϕD3 MAX.	ϕD4	ϕD5	ϕD6	ϕD7
6	BELDEN 1671A	2.26	1.68	0.51	0.95	1.85	2.40	3.00
7	RG402/U UT141	3.58	3.00	0.94	1.03	3.04	3.80	4.50



M1:1

IMS BONNESTOR SYSTEMS GMBH

ALLGEMEINTOL.
GENERAL TOLERANZ
ISO 2768
mH

Masstab/scale: 5:1

MONTAGEANLEITUNG M17/K2
ASSEMBLY INSTRUCTION M17/K2

	Datum	Name
Bearb.	11.06.96	U.Mayer
Gepr.		
Norm		

**SMA
CHASSIS-BUCHSE
CHASSIS-SOCKET**

Nr.	Zust	Aenderung	Datum	Name
765/99	j	M17/K1->M17/K2	09.11.99	Mo
524/98	i	UEBERARBEITUNG	24.09.98	Fa

1864.42.2812.2''

Rev.
j