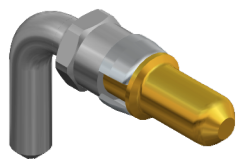
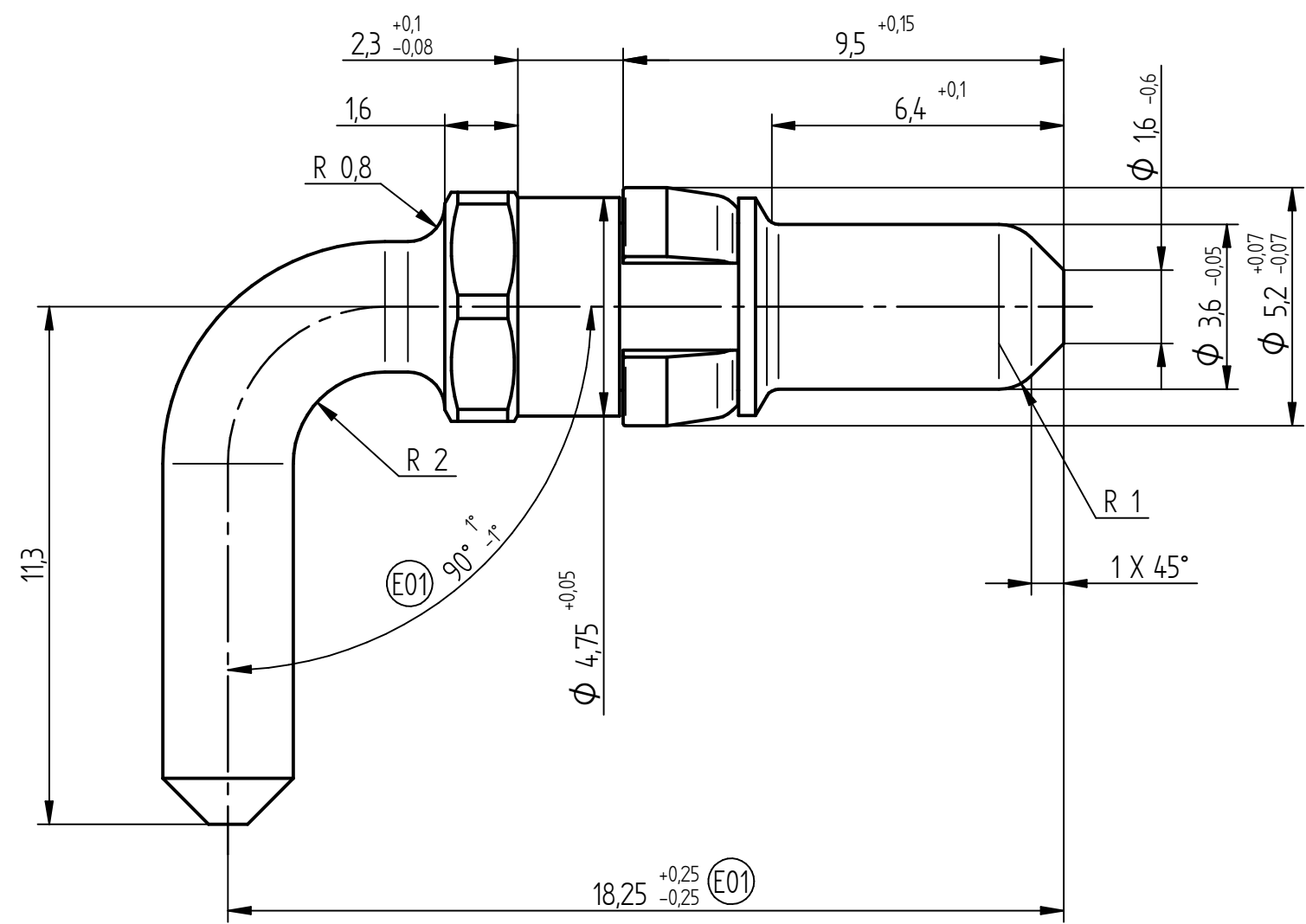
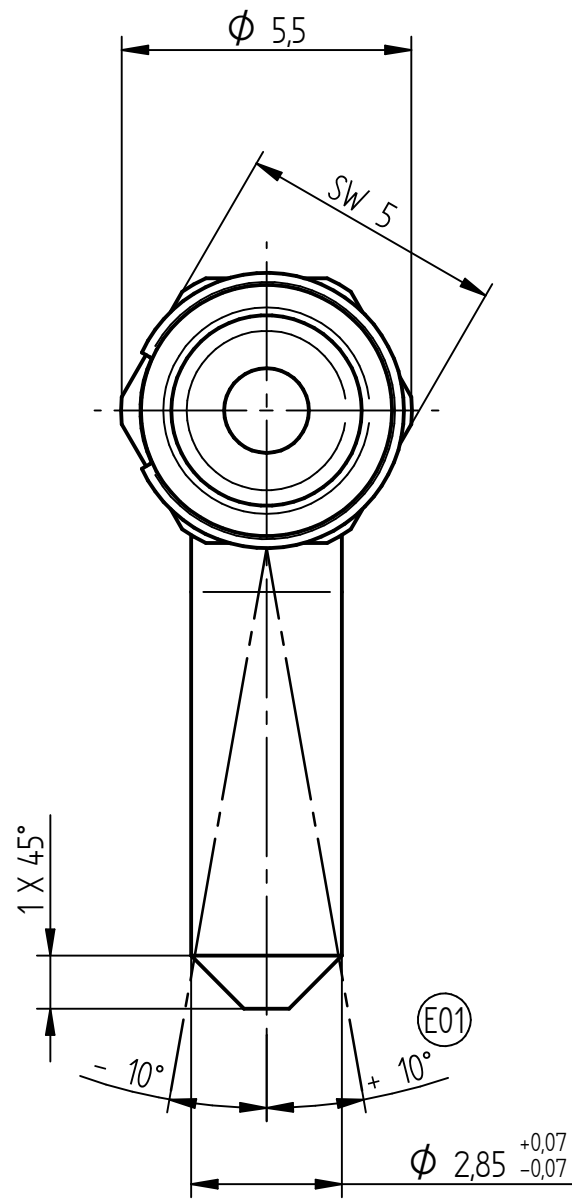


Status Release

Revision history				
Change ID	Rev.	Alteration	Date	Name
design	a	dimension modified	05.11.1992	rschwaer
design	b	tolerance modified	22.10.1993	rschwaer
061/99	c	drawing modified	11.02.1999	glatz
220/99	d	drawing modified	22.04.1999	I.S.
100045327	E01	tolerance modified	07.11.2022	ntakacs



Scale 2:1



Scale 1:1

Projection - ISO 5456 	Unit system - Metric All dim. in [mm]	General tolerance ISO 2768 mH	Note	Document type Acceptance drawing			
Created by Schwaer	Approved by Pözl / 07.11.22	Title High power insert male	Drawing number 1085.24.1025.40Z		Scale 7:1		
			Supplementary title Hochstromstecker	Rev. E 01	Date of issue 14.04.92	Lang. EN	Sheet 1/1

ISO 16016
All copyrights reserved. This drawing can neither be copied nor made available to third parties or competitor companies without our written permission.