

Assembly Instruction

IMS CONNECTOR SYSTEMS GmbH
 Obere Hauptstrasse 30
 D-79843 Löffingen
 Postfach 1141
 D-79840 Löffingen

Tel (+49) 7654 901-0
 Fax (+49) 7654 901-199
 Net: www.imscs.com
 E-mail: sales@imscs.com

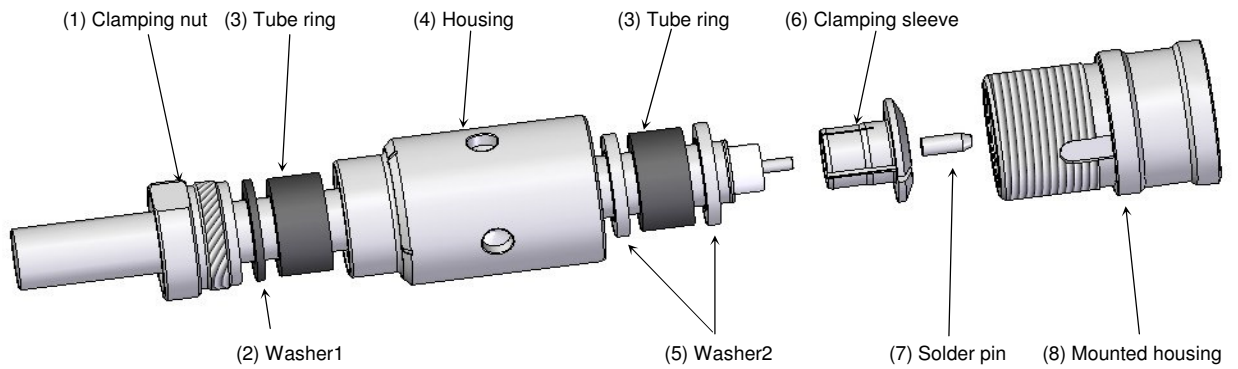
Number: M-223

Date: 2007.01.25

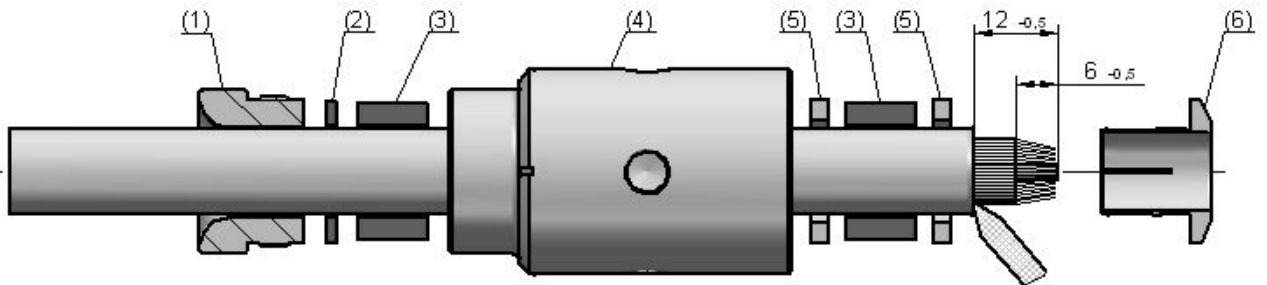
Description: Cable mount plug

Signature: Pölz N.

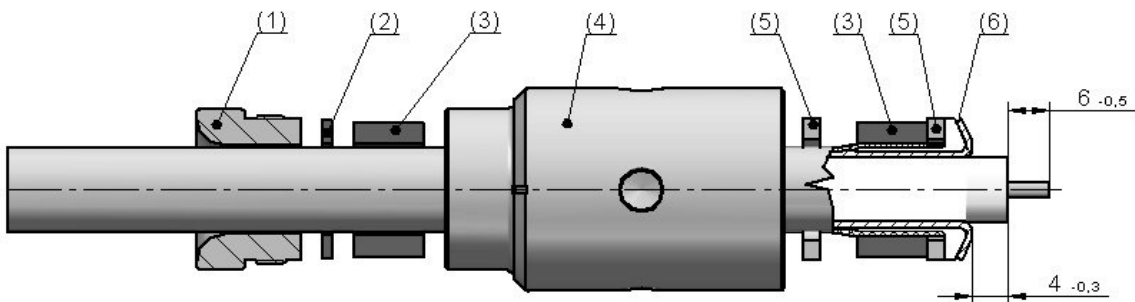
Page: 1 of 2



Recommended tools: Sheath splitting knife, shear, soldering iron, little file, brush, hook wrench DIN 1810 25-28A and 30-32B, open-ended wrench WA22



Put parts (1)-(5) onto cable. Remove 12mm of the cable jacket. Adjust braid, bend it backwards and shorten dielectric for round about 6mm. Adjust braid forward and squeeze it conical together. Expand cable jacket.



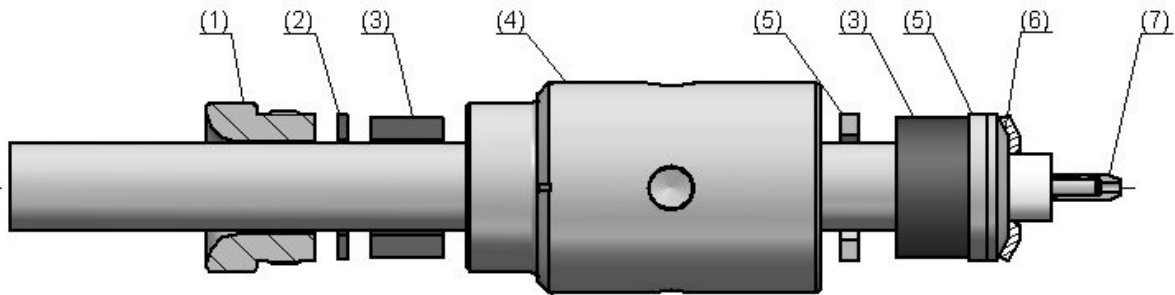
Push Clamping sleeve (6) over the braid and under the widened cable jacket. Put braid equally around part 6, adjust and cut it. Check dimension 4-0,3mm. Tin-plate cable center contact.

Assembly Instruction

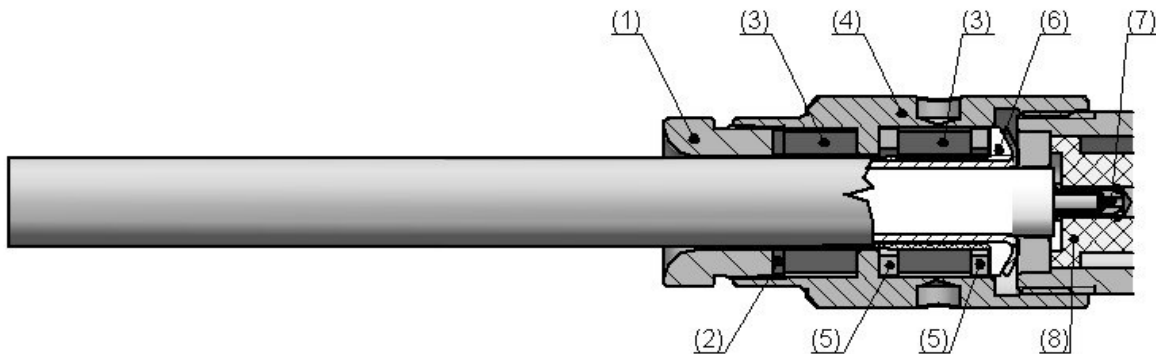
IMS CONNECTOR SYSTEMS GmbH
 Obere Hauptstrasse 30
 D-79843 Löffingen
 Postfach 1141
 D-79840 Löffingen

Tel (+49) 7654 901-0
 Fax (+49) 7654 901-199
 Net: www.imscs.com
 E-mail: sales@imscs.com

Number: M-223	Date: 2007.01.25
Description: Cable mount plug	Signature: Pölz N.
	Page: 2 of 2



Put solder-pin (7) onto cable center contact and solder. Remove leaked solder tin. There shouldn't be a gap between solder pin and the cable insulator.



Put the mounted housing (8) on pre-mounted cable. Screw down part (4) and (8). After that screw down part (1) and part (4). A screw locking device (e.g. Loctite) should be used for both threads.