



The new switch generation

Miniature RF switches



The new switch generation

Due to their compact design, extremely robust construction and innovative locking mechanism the test switch 3926 and the external antenna switch 3976 from IMS Connector Systems are suitable for a broad range of applications.

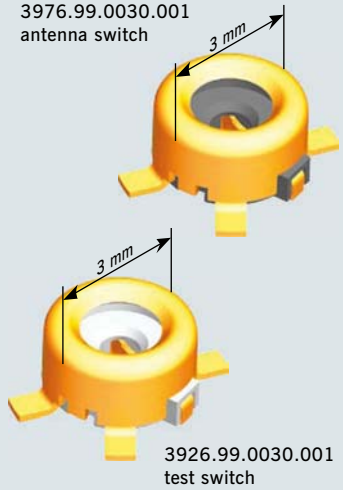
Benefits

3976.99.0030.001

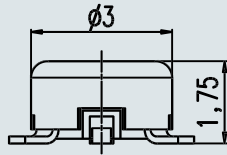
- 10.000 mating cycles
- Excellent guiding feature e.g. car cradle applications
- Robust design due to deep drawn housing
- Durable due to high surface layer thickness
- Ultra low height

3926.99.0030.001

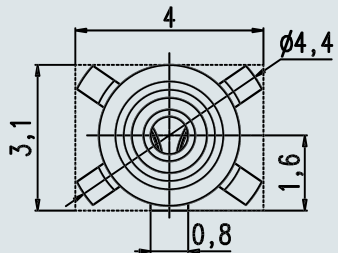
- 50 mating cycles
- Excellent guiding feature e.g. test probe applications
- Robust design due to deep drawn housing
- Fully footprint compatible with muRata MM 8430-2600B
- Ultra low height



Side view



Top view



Technical specifications

Electrical characteristics	3976		3926	
	Un-switched	Switched	Un-switched	Switched
Impedance	50 Ω			
Frequency range	DC...6 GHz			
Return loss	≤ 1,0 GHz	> 30 dB	> 30 dB	> 30 dB
	≤ 2,0 GHz	> 28 dB	> 24 dB	> 28 dB
	≤ 3,0 GHz	> 27 dB	> 21 dB	> 27 dB
	≤ 6,0 GHz	> 16 dB	> 16 dB	> 16 dB
Isolation	≤ 1,0 GHz	-	> 36 dB	-
	≤ 2,0 GHz	-	> 30 dB	-
	≤ 3,0 GHz	-	> 26 dB	-
	≤ 6,0 GHz	-	> 19 dB	-
Insertion loss	≤ 1,0 GHz	< 0,15 dB	< 0,20 dB	< 0,15 dB
	≤ 2,0 GHz	< 0,20 dB	< 0,30 dB	< 0,20 dB
	≤ 3,0 GHz	< 0,25 dB	< 0,40 dB	< 0,25 dB
	≤ 6,0 GHz	< 0,50 dB	< 1,00 dB	< 0,50 dB
Insulation resistance	> 0,20 MΩ			
Contact resistance				
Center contact	< 80 mΩ	< 80 mΩ	< 80 mΩ	< 80 mΩ
Outer contact	< 50 mΩ	< 50 mΩ	< 50 mΩ	< 50 mΩ
Proof voltage (Veff/50 Hz)	100 V			
Operating voltage	50 V			
Mechanical characteristics				
Engagement force	typ. 12			
Separating force	typ. 12			
Mating cycles	10.000		50	
Handling information				
Tape & reel	4.000 pcs. per reel			
Pick & place	✓			
Lead-free soldering	✓			

(All electrical and mechanical characteristics are valid for the combination 3976.99.0030.001/3926.99.0030.001 and 3989.91.1420.019)

Adapters

Straight test adapter with SMA interface 4021.93.8914.103

- Adapter for automatic testing
- Float mount installation
- 100.000 mating cycles



Straight test adapter with SMA interface 4163.93.8914.103

- Adapter for automatic testing
- Float mount installation
- 100.000 mating cycles



Adapters

Right angle cable plug

3989.91.1420.019

- Adapter for manual testing
- Snap-in function
- 500 mating cycles
- For cable Filotex RG 174
(other cable types on request)



Test cable assembly K-2227

Cable lengths:

- 150, 300, 500, 750, 1000 mm
- Other lengths available on request

Counterpart: SMA plug



Right angle cable plug

4162.91.1420.019

- Adapter for manual testing
- Snap-in function
- 500 mating cycles
- For cable Filotex RG 174
(other cable types on request)



Test cable assembly K-2283

Cable lengths:

- 150, 300, 500, 750, 1000 mm
- Other lengths available on request

Counterpart: SMA plug



Right angle cable plug

4188.91.1420.019

- Adapter for manual testing
- Snap-in function
- 500 mating cycles
- For cable muRata Typ 88 + 92
(other cable types on request)



Test cable assembly K-2292

Cable lengths:

- 150, 300, 500, 750, 1000 mm
- Other lengths available on request

Counterpart: SMA plug



Right angle cable plugs 4147.93.8914.123 4166.93.8914.123

- Adapter for car cradle applications
- Float mount installation
- 100.000 mating cycles
- For cable RG 316
(other cable types on request)

